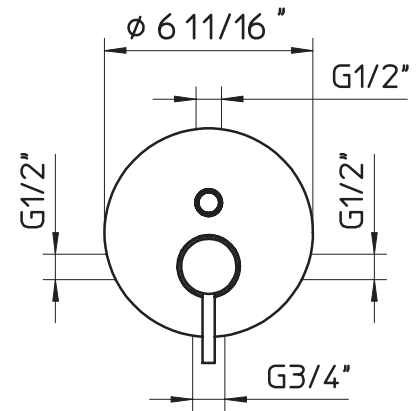
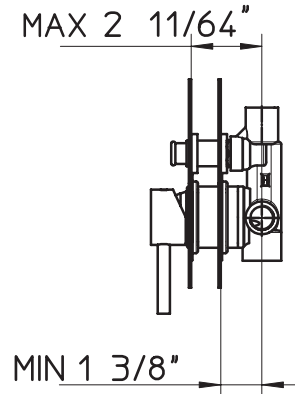




# PALAZZANI **digit**



code **992706-10 + 121175-10**

## Features

- Single lever handle volume and temperature control pressure balance with automatic diverter complete with concealed parts.
- Temperature memory allows faucet to be turned on and off at any temperature setting.
- Ceramic disc valves longevity standards for a lifetime of durable performance.
- Valve body cast brass.

## Material

- Solid brass.
- Finishes resist corrosion and tarnish.

## Certifications

- ASME A112.18.1/CSA B125.1-12
- California Energy Commission (CEC)
- ADA

## Available color finishes

- 10 chrome
- 34 matt copper
- 36 brushed dark nickel
- 38 matt black
- 43 matt white
- 49 brushed steel finish
- 50 bronze
- 53 gold

## Technical information

- All product dimensions are nominal
- Handle clearance 1-31/32" (50mm)
- Faucet flow rate: 1.2 gpm
- Pressure 60 psi

## Warranty

- Limited warranty.
- See website for detailed warranty information.

## Note

- Install this product according to the installation guide.
- Final measurements confirm with product.
- Palazzani reserves the right to make revisions without notice to product specifications.



**PALAZZANI USA**

phone (305) 651.4470 ■ service@palazzaniusa.com