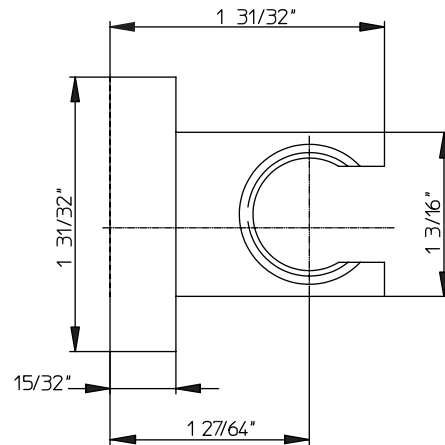




PALAZZANI showers



code **991045-10**

Features

- Fixed bracket in brass $1 \frac{31}{32}'' \times 1 \frac{3}{16}''$.

Material

- Solid brass.
- Finishes resist corrosion and tarnish.

Certifications

- ASME A112.18.1/CSA B125.1-12.
- California Energy Commission (CEC).
- ADA.

Available color finishes

- 10 chrome.

Technical information

- All product dimensions are nominal.
- Wall-mount.

Warranty

- Limited warranty.
- See website for detailed warranty information.

Note

- Install this product according to the installation guide.
- Final measurements confirm with product.
- Palazzani reserves the right to make revisions without notice to product specifications.



PALAZZANI USA

phone (305) 651.4470 ■ service@palazzaniusa.com