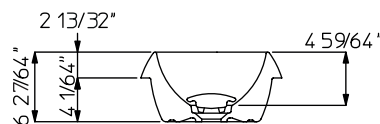
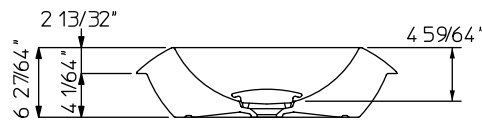
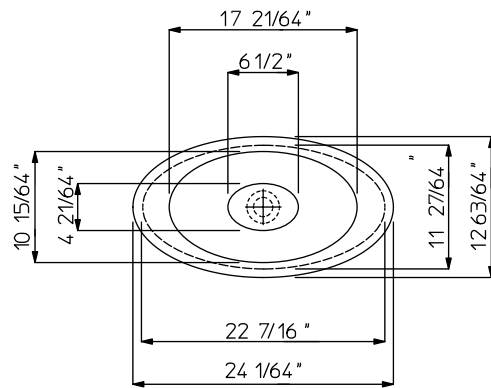




# PALAZZANI

## zena

code **C53302**



### Certifications

• ADA



**PALAZZANI USA**

phone (305) 651.4470 ■ service@palazzaniusa.com