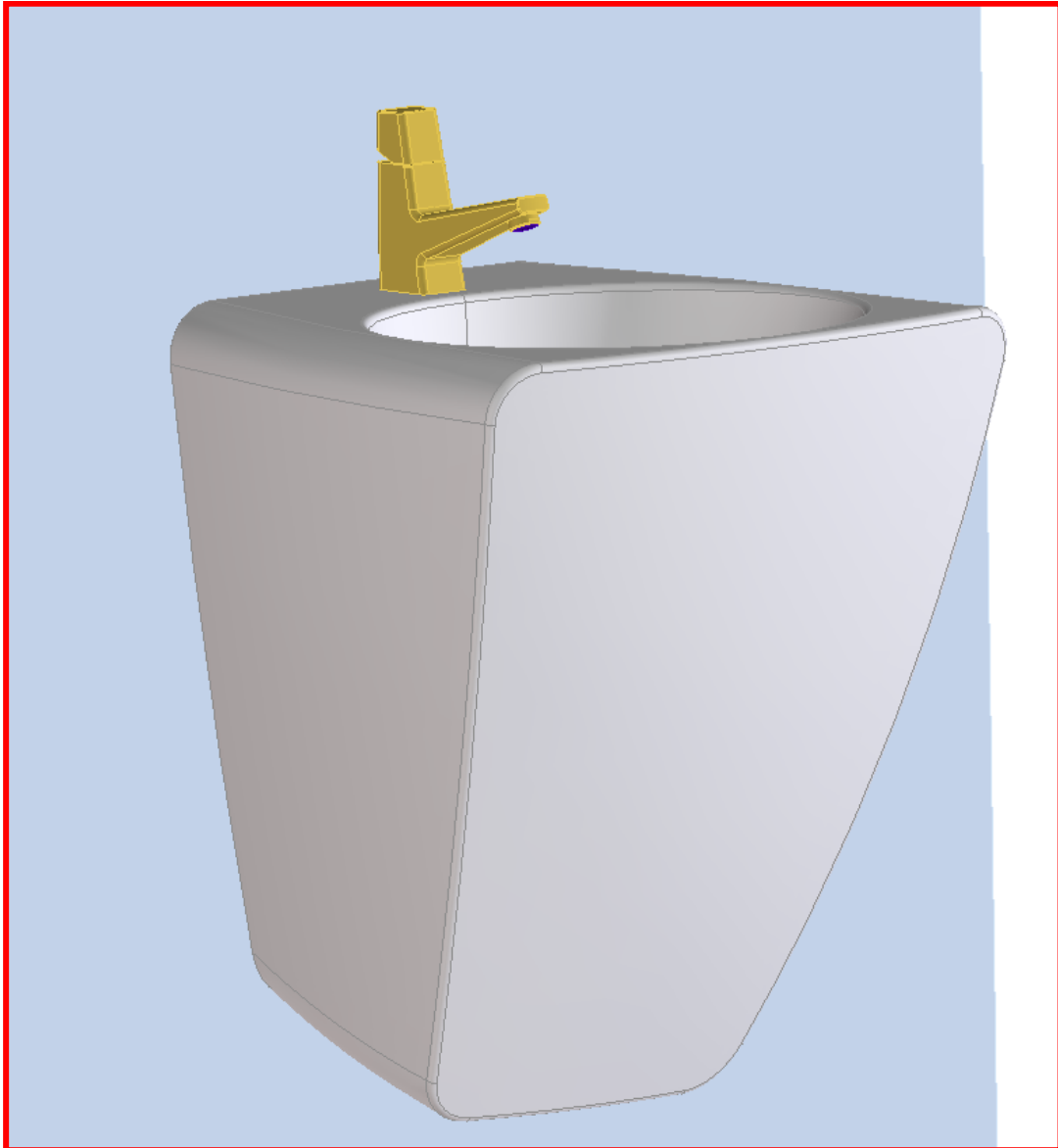


PALAZZANI
Installation:
Wall mounted washbasin HUB



Before to install the washbasin on the wall, proceed to mount the tap on the ceramic

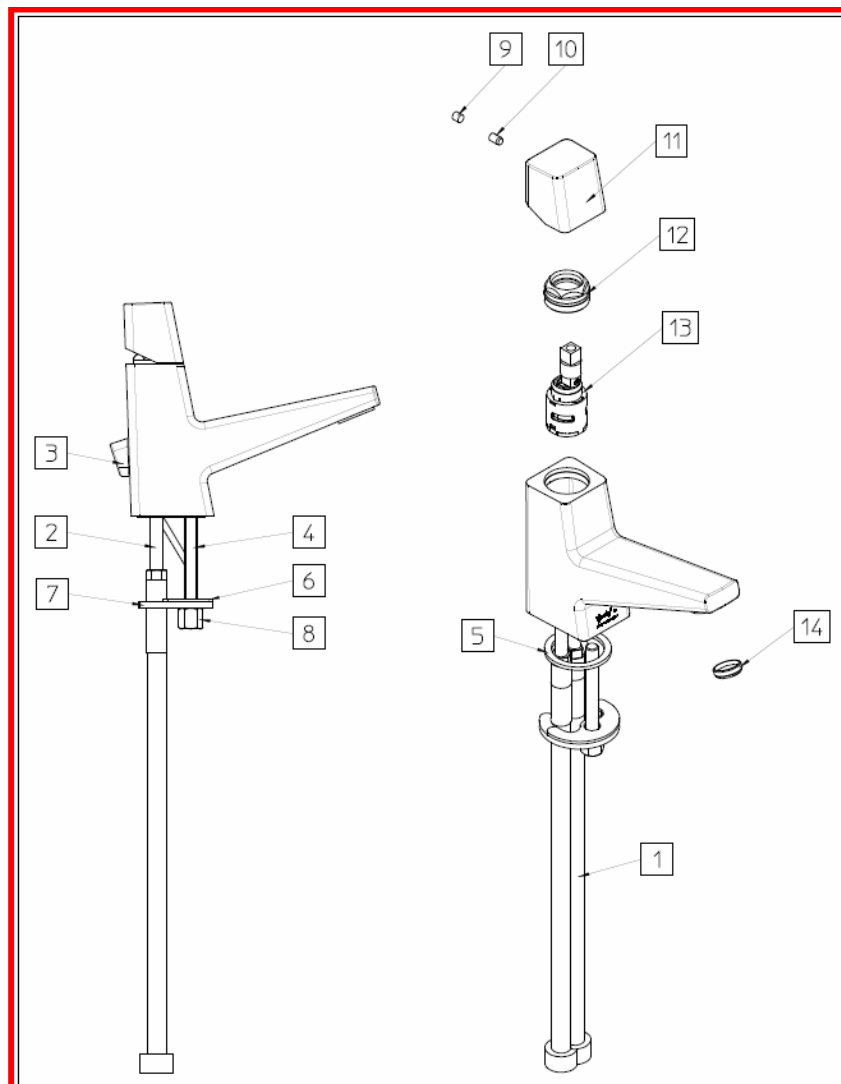
1- MOUNT HOT WATER INLET FLEXIBLE HOSES (1), HOT WATER (RED) ON THE LEFT AND COLD WATER (BLUE) ON THE RIGHT;

2- SCREW THE THREADED TIE-ROD (4) TO THE BODY;

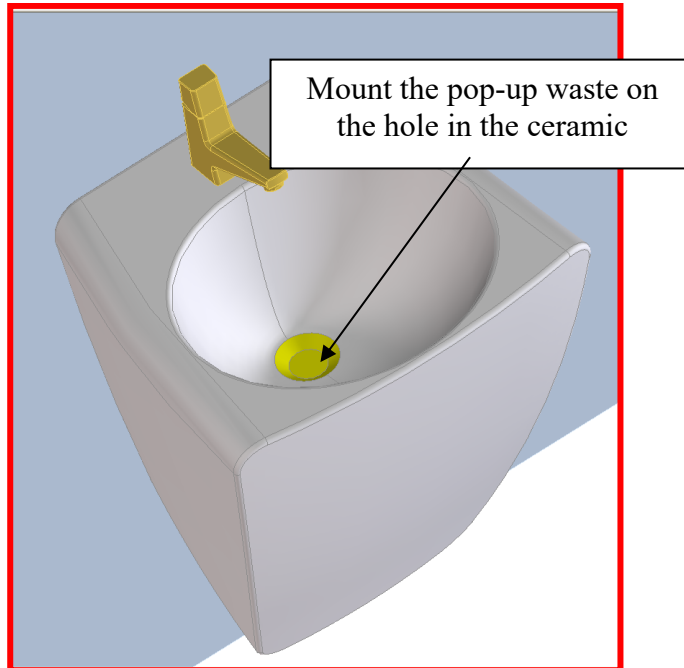
3- INSERT THE DRAIN ROD (3) INTO THE FITTING BEFORE INSTALLATION;

4- POSITION THE FITTING CENTERED ON THE HOLE, MAKING SURE THAT THE GASKET (5) IS BETWEEN THE FITTING AND SUPPORT SURFACE;

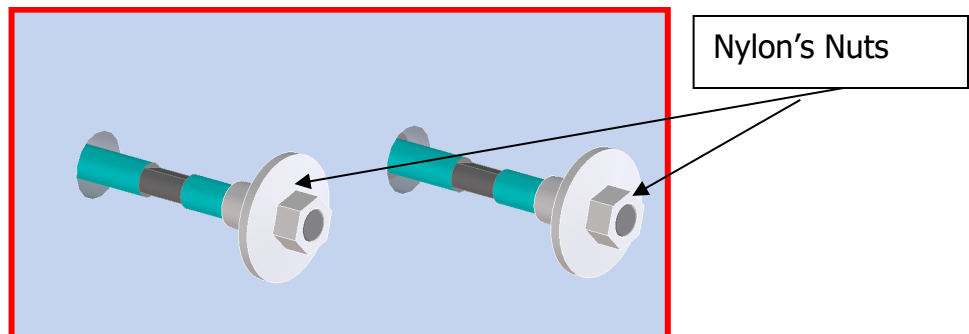
5- LOCK EVERYTHING SCREWING THE NUT (8) AFTER INSERTING GASKET SEAL (6) AND SHAPED WASHER (7);



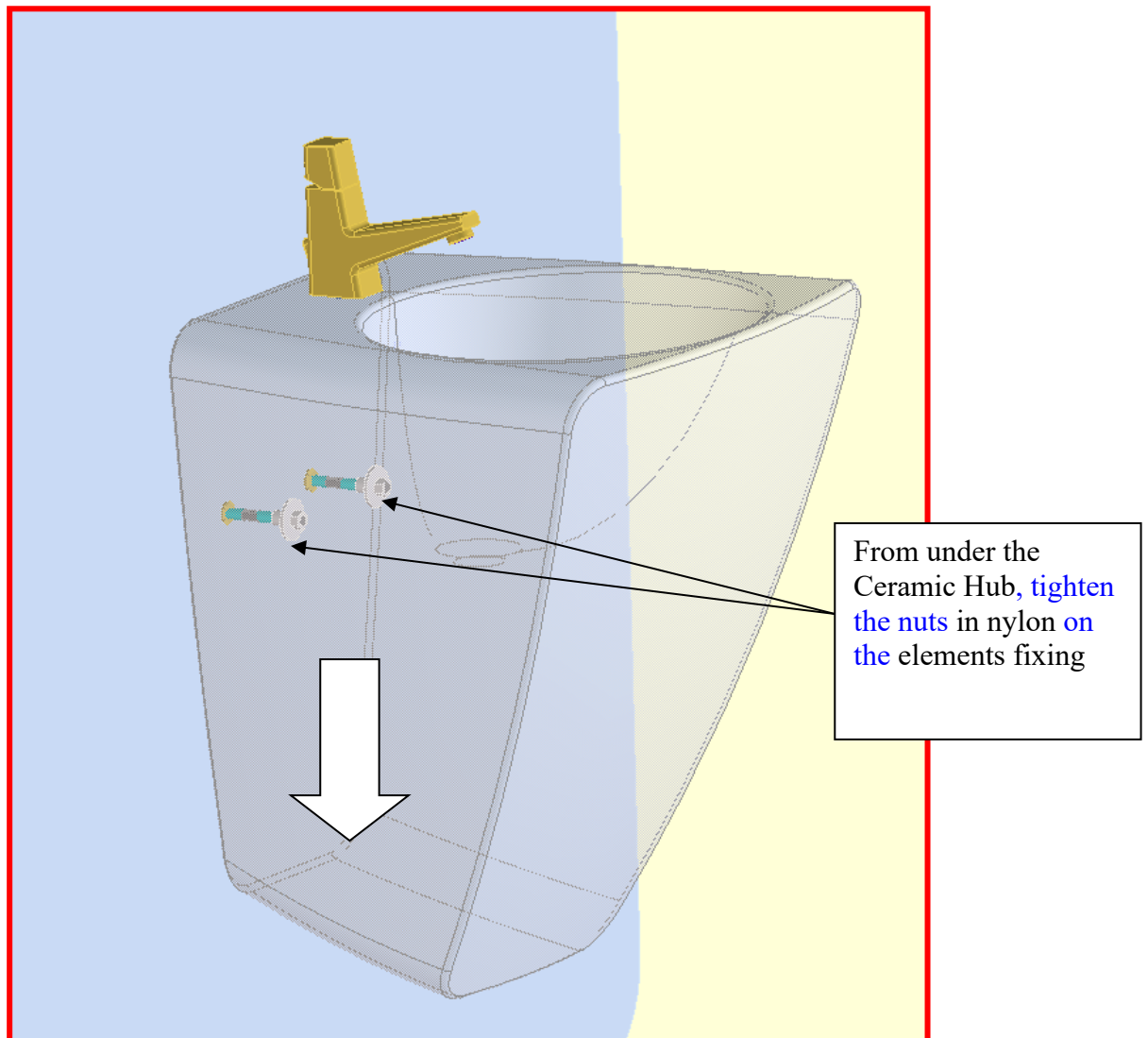
6 Mount the pop-up waste on the hole in the ceramic



7 Fixing element for the installation Hub wallmounted



8 Move down the ceramic Hub up to lean on the elements fixing **previously fixed to the wall**



Once installed the Hub on the wall from under the Ceramic Hub carry out:

- 9 Connect the water inlets to the water system with the hot water on the left and the cold water on the right
- 10 Connect the rod for pop-up
- 11 Connect the Syphon on the pop-up