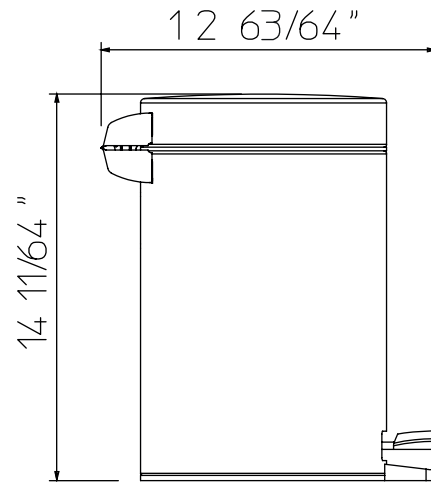




# PALAZZANI

## accessories



code **9943E5-10**

### Features

- 12 liters dustbin with lid and basket.

### Material

- Inox
- Finishes resist corrosion and tarnish.

### Certifications

- ADA.

### Available color finishes

- 10 black.

### Technical information

- All product dimensions are nominal.

### Warranty

- Limited warranty.
- See website for detailed warranty information.

### Note

- Install this product according to the installation guide.
- Final measurements confirm with product.
- Palazzani reserves the right to make revisions without notice to product specifications.



**PALAZZANI USA**

phone (305) 651.4470 ■ service@palazzaniusa.com