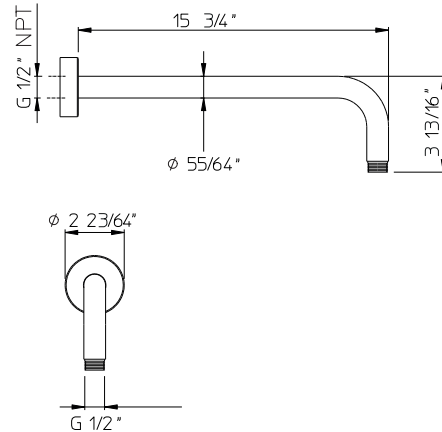




PALAZZANI showers



code **992639-10**

Features

- Horizontal $15 \frac{3}{4}''$ Brass arm.
- Arm $\frac{1}{2}''$ NPT connection.

Material

- Solid brass .
- Finishes resist corrosion and tarnish.

Certifications

- ASME A112.18.1/CSA B125.1-12.
- California Energy Commission (CEC).
- ADA.

Available color finishes

- 10 chrome

Technical information

- All product dimensions are nominal.
- Wall-mounted.

Warranty

- Limited warranty.
- See website for detailed warranty information.

Note

- Install this product according to the installation guide.
- Final measurements confirm with product.
- Palazzani reserves the right to make revisions without notice to product specifications.



PALAZZANI USA

phone (305) 651.4470 ■ service@palazzaniusa.com