

# PALAZZANI.EU SRL

## CONCEALED THERMOSTATIC MIXER 1/2" AND 3/4" WITH DIVERTER

### TECHNICAL CHARACTERISTICS:

- PRESSURE AT TEST 12 BAR
- HOT WATER INDEX LEFT SIDE, RED COLOUR
- COLED WATER INDEX RIGHT SIDE, BLUE COLOR
- RED PUSH BUTTON AS STOP AT 38°C. SET IN ORDER TO AVOID MISTAKEN ACTIONS OF REQUEST OF HOT WATER WHEN NOT DESIRED;
- SAFETY DEVICE TO PROTECT THE THERMO SENSITIVE ELEMENT AGAINST EXCEEDING TEMPERATURE OF HOT WATER.

LIMITS OF USE UNI EN 1111		
PRESSURE	MIN=0,5 bar	MAX=10 bar
TEMPERATURE		MAX=90°
LIMITS OF USE UNI EN 1111 FOR A GOOD FUNCTIONING		
PRESSURE	MIN = 1 BAR	MAX = 5 BAR
TEMPERATURE	TEMPERATURE	MAX = 65°

### NOTICE:

- IT' IS FUNDAMENTALLY IMPORTANT THAT IDROTHERMIX IS INSTALLED BY RESPECTING THE INLET POSITIONS FOR THE HOT WATER SUPPLY ON THE LEFT AND COLD WATER SUPPLY ON THE RIGHT, MAKING SURE THAT THE TEMPERATURE REFERENCE SCALE FACES UPWARDS;
- INSTALLATIONS CARRIED OUT IN A MANNER OTHER THAN THAT INDICATED DO NOT ALLOW THE MIXER TO OPERATE.
- FOR A HIGH FLOW MODELS, IT'S RECOMMENDED TO LIMIT THE INLET PRESSURE AT 3 BARS BY MEANS OF A PREFERENCE REDUCER;
- A VERY ACCURATE PREVENTIVE BLEEDING OF THE SYSTEM IS REQUIRED IN ORDER TO AVOID DAMAGING THE TAPS AND THE TECHNOLOGICAL APPLIANCES INSTALLED;
- A CENTRALISED FILTER WOULD PROTECT THE SYSTEM FROM ANY IMPURITIES CONTAINED IN THE WATER;
- IN THE CASE OF SUPPLY PRESSURE GREATER THAN 5 bar, IT IS RECOMMENDED TO INSTALL A PRESSURE REDUCER FOR THE APPLIANCES TO WORK CORRECTLY.
- FOR USE WITH SHOWER HEADS RATED AT 7.6 L/min (2.0 gpm) OR HIGHER.**

IN THE CASE OF	POSSIBLE CAUSE	TYPE OF INTERVENTION
POOR FLOW RATE	LOW SYSTEM PRESSURE	CHECK THE SYSTEM
	INLET FILTERS OBSTRUCTED	CLEAN THE INLET FILTERS
	OUTLETS OBSTRUCTED	CLEAN THE AERATOR, SHOWER AND ACCESSORIES
COLD WATER ONLY SUPPLIED	SUPPLY PIPES HAVE BEEN INVERTED	INVERT THE SUPPLY PIPES
	HOT WATER TEMPERATURE INSUFFICIENT	CHECK THE PLUMBING SYSTEM
TEMPERATURE SUPPLIED NOT COINCIDING WITH THAT SELECTED	GREAT DIFFERENCE BETWEEN SUPPLY PRESSURE VALUES	BALANCE THE SUPPLY PRESSURE VALUES
		PROCEED TO RECALIBRATE THE CARTRIDGE
COLD WATER ONLY OR HOT WATER ONLY SUPPLIED	THERMOSENSITIVE ELEMENT LOCKED	CHECK THE PLUMBING SYSTEM
		REPLACE THE CARTRIDGE,
NO TEMPERATURE SETTING	HOT WATER TEMPERATURE INSUFFICIENT	CHECK HOT WATER AVAILABILITY
	THERMOSENSITIVE ELEMENT LOCKED	KEEP ROTATING THE GRADUATED HANDLE TOWARDS HOT WATER AND THEN COLD WATER
		REPLACE THE CARTRIDGE
HOT WATER FLOWS THROUGH COLD WATER PIPES (BY-PASS)	MALFUNCTIONING OF THE NON – RETURN VALVES	CHECK, CLEAN OR REPLACE NON – RETURN VALVES

### INSTALLATION OF THE THERMOSTATIC MIXER:

- A- PROCEED WITH THE INSTALLATION KEEPING UNITED THE TWO POLYSTYRENE SHELLS (1&2) (Fig. 1);
  - B- AFTER THE WALL SURFACE IS COMPLETED, TAKE THE UPPER SHELL (1) OFF (Fig. 1);
  - C- INSTALL THE COVER PLATE (3) WITH THE TWO GREY RUBBER RINGS (Fig 2);
  - D – INSTALL THE HANDLES ON THE MIXER AND THE VALVE (Fig 2) AND FIX IT BY MEANS OF THE GROB SCREW (4) THEN APPLY THE PLUG BY PRESSURE (5);
  - D1 – FOR HANDLES IN CHROMIUM PLATED ABS . INSTALL THE HANDLES ON THE VALVE AND MIXER (PICTURE IN Fig. 2), FIX THEM BY MEANS OF THE SCREW (4a) AND APPLY THE COVER CAP (5a) BY PRESSURE.
- CALIBRATION:**
- THE MIXERS ARE TESTED AND CALIBRATED AT OUR ESTABLISHMENT; HOWEVER PARTICULAR WORKING CONDITIONS MAY NEED FURTHER CALIBRATION TO OBTAIN THE REQUIRED TEMPERATURE VALUES.
- PROCEED ACCORDING TO THE FOLLOWING INSTRUCTIONS:
- A-RUN THE WATER AND MEASURE THE TEMPERATURE USING A THERMOMETER;
  - B- ROTATE THE HANDLE UNTIL THE REQUIRED TEMPERATURE IS REACHED;
  - C-REMOVE THE PLUG (5) , THE GROB SCREW AND THE GRADUATED HANDLE (Fig 2) WITHOUT ROTATING IT; THEN REINSERT IT SO THAT THE 38° MARK CORRESPONDS TO THE TEMPERATURE REFERENCE SCALE 38°C;
  - FIX THE SCREW AND FIT THE PLATE;
  - C1 – FOR HANDLES IN CHROMIUM PLATED ABS – REMOVE THE CAP COVER (5A), REMOVE THE FIXING SCREW (4A) REMOVE THE HANDLE (PICTURE IN Fig 2);
  - D – FIX THE HANDLES BY MEANS OF THE GROB SCREW (4) AND INSERT THE PLUG BY PRESSURE (5).

**MAINTENANCE:**

BEFORE CARRYING OUT ANY MAINTENANCE OR CHECKS ON THE THERMOSTATIC CARTRIDGE, REMEMBER TO TURN OFF THE WATER SUPPLY, AND DISCHARGE ANY INSIDE PRESSURE BY OPENING THE TAP.

A-REMOVE THE PLUG (5) (fig 3), UNSCREW THE GRUB (4) SCREW AND REMOVE THE GRADUATED HANDLE;

B-REMOVE THE CAM IN GREY PLASTIC MATERIAL (6);

C WITH THE KEY 32mm REMOVE THE COVER RING (7);

D-REMOVE THE CARTRIDGE (8);

E- CHECK THE GOOD RUNNING, CLEAN THE FILTERS AND IN CASE REPLACE IT;

F-REVERSE THE ABOVE PROCEDURE, ALSO FOLLOWING THE FITTING INSTRUCTIONS FOR THE TEMPERATURE REFERENCE VALUES.

**MAINTENANCE OF THE DIVERTER:**

A – REMOVE THE PLUG (5), REMOVE THE GROB SCREW (4)REMOVE THE HANDLE;

B – UNSCREW THE FIXING SCREW (9) AND REMOVE THE INSERT;

C – UNSCREW THE RING (10) ;

D – WITH THE KEY 40mm REMOVE THE DIVERTER ASSEMBLY (11);

E – CONTROL IT AND EVENTUALLY REPLACE IT;

F – REVERSE THE ABOVE PROCEDURE.

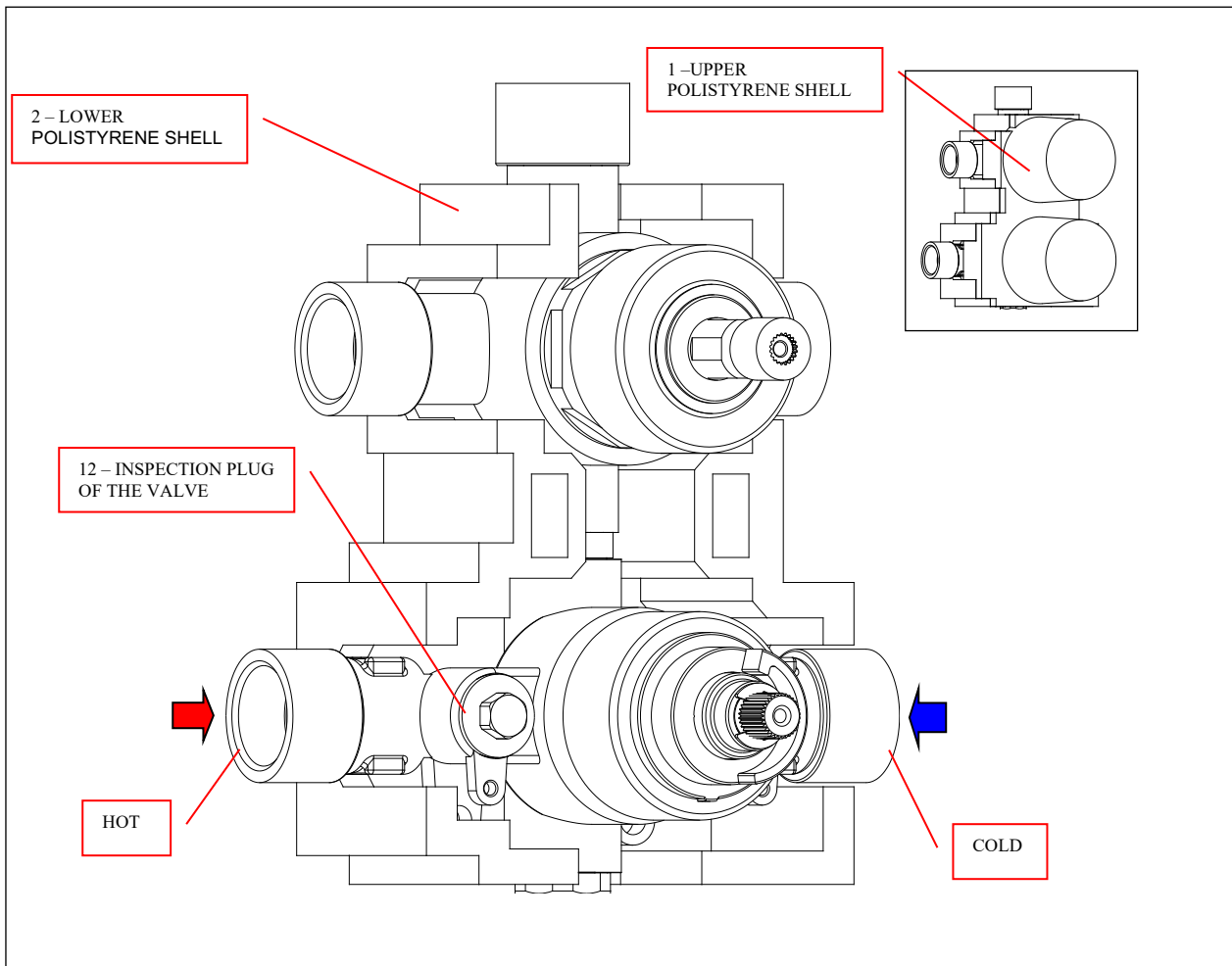
**MAINTENANCE OF THE NON – RETURN VALVES:**

A – REMOVE THE INSPECTION PLUG (12) OF THE NON RETURN VALVE (FIG 1);

B – REMOVE THE NON RETURN VALVE;

C – VERIFY THE VALVE;

D – REVERSE THE PROCEDURE.



**FIG. 1 – INSTALLATION OF THE THERMOSTATIC MIXER, INLET POSIOTIONS AND NON RETURN VALVE MAINTENANCE.**

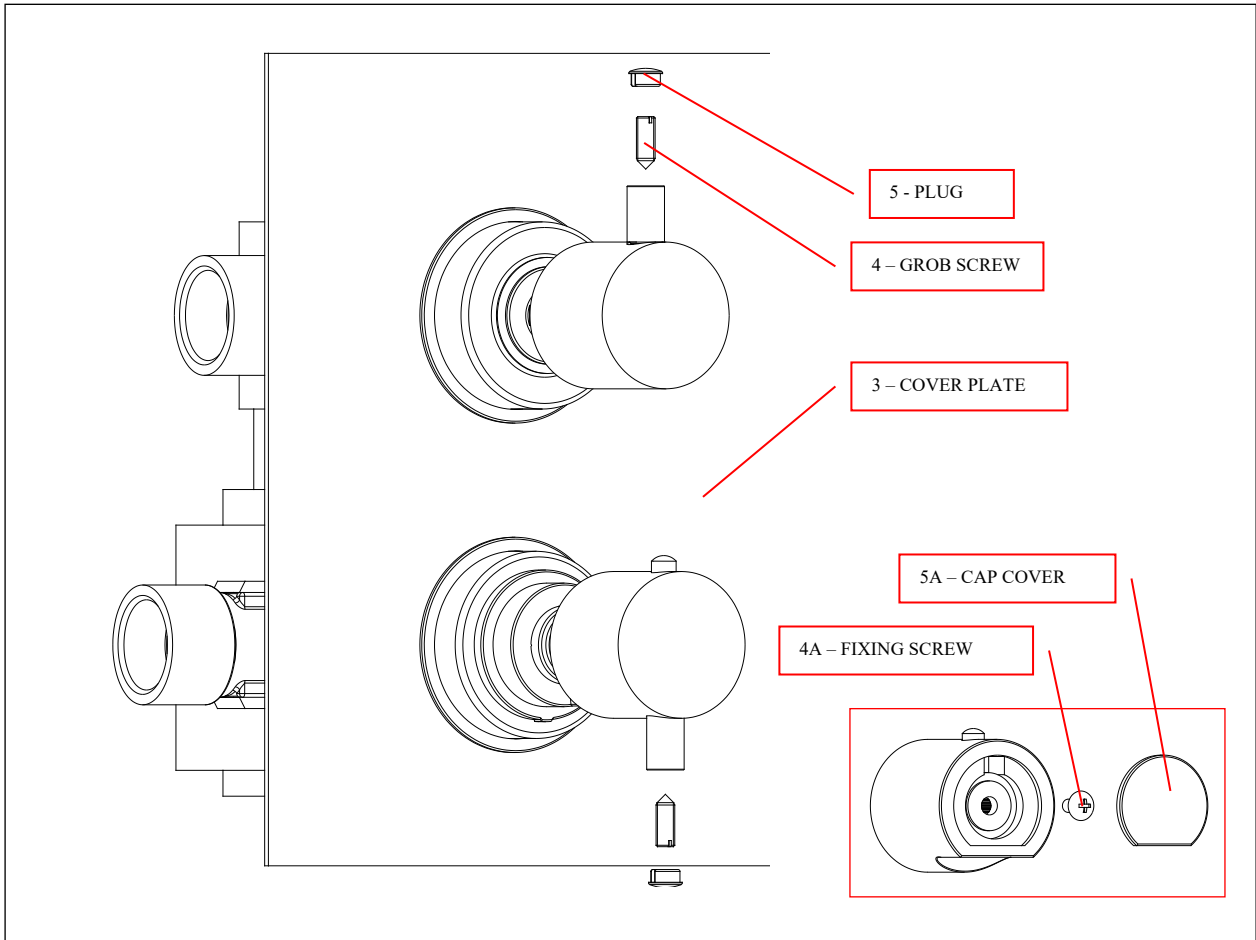


FIG. 2 – INSTALL OF COVER PLATE AND HANDLES

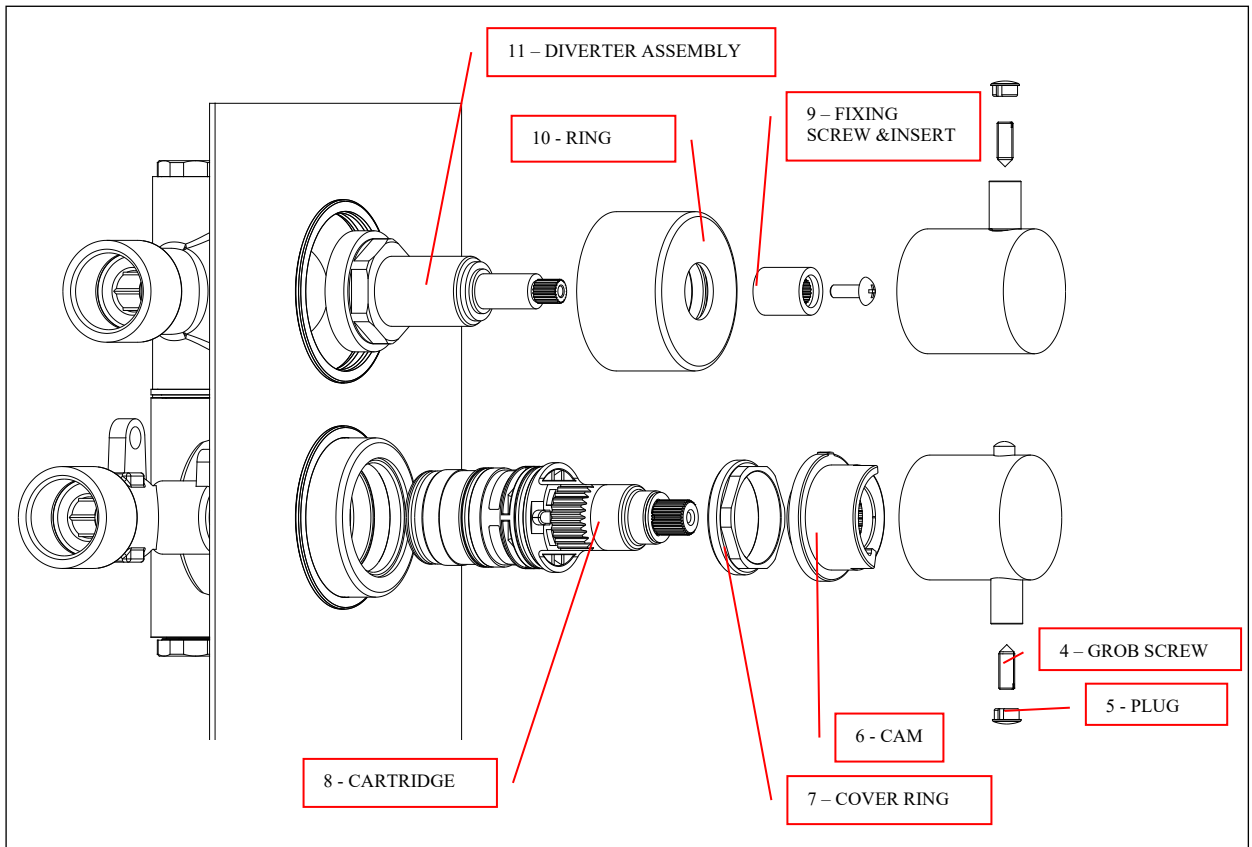


FIG. 3 – MAINTENANCE OF THE INTERNAL COMPONENTS.

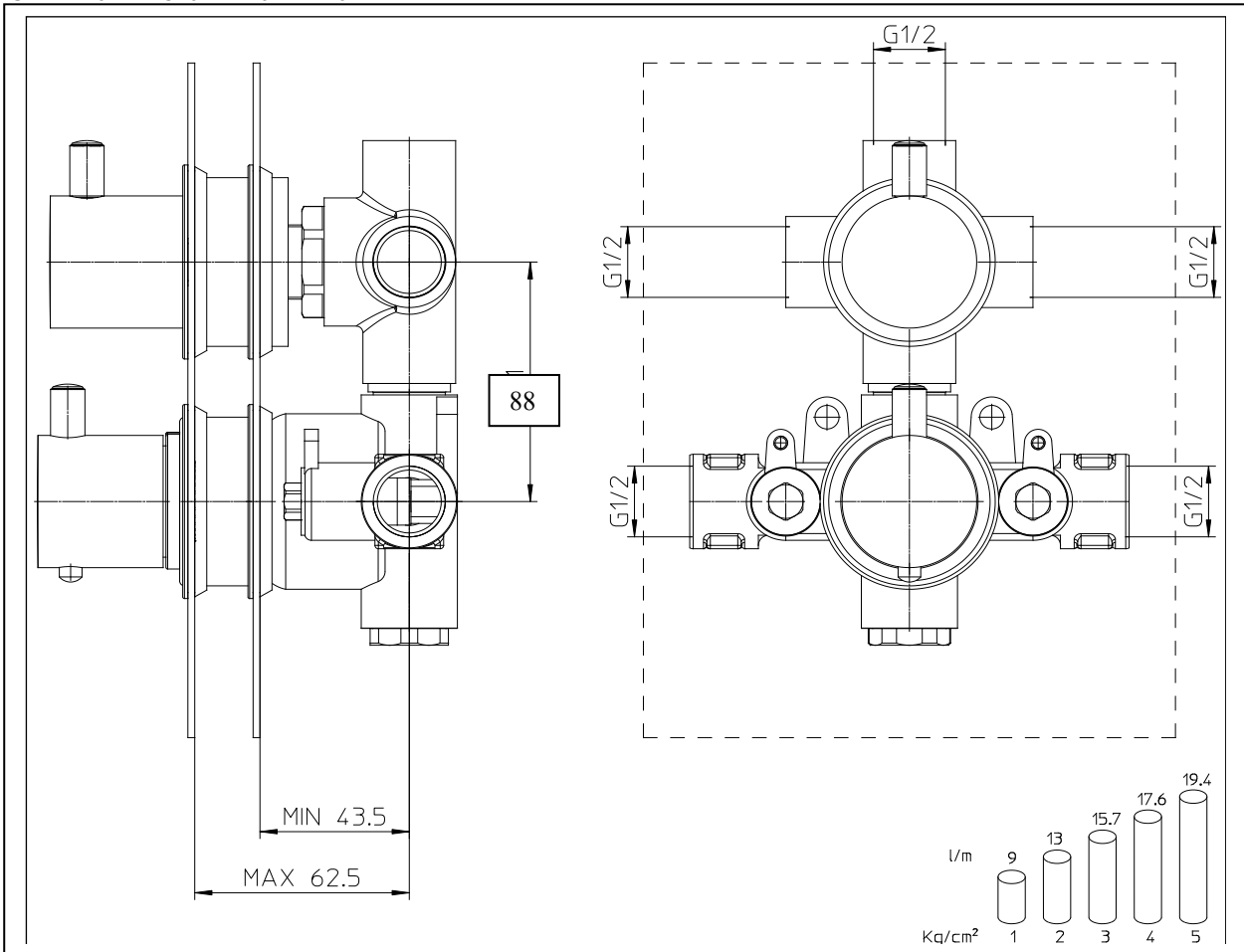


FIG. 4 – FEATURES AND DIMENSION OF 1/2" VERSION.

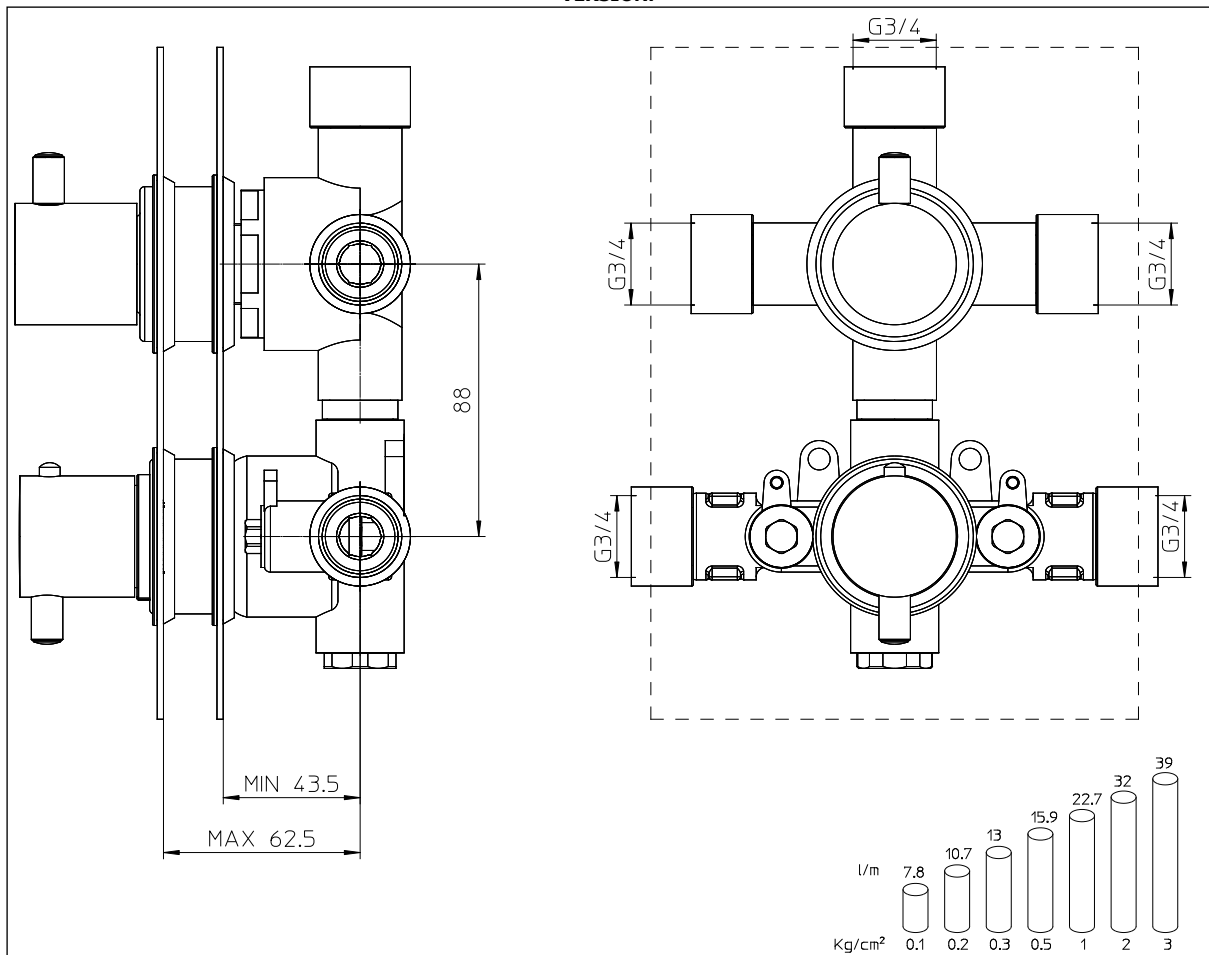


FIG. 5 – FEATURES AND DIMENSION OF 3/4" VERSION.