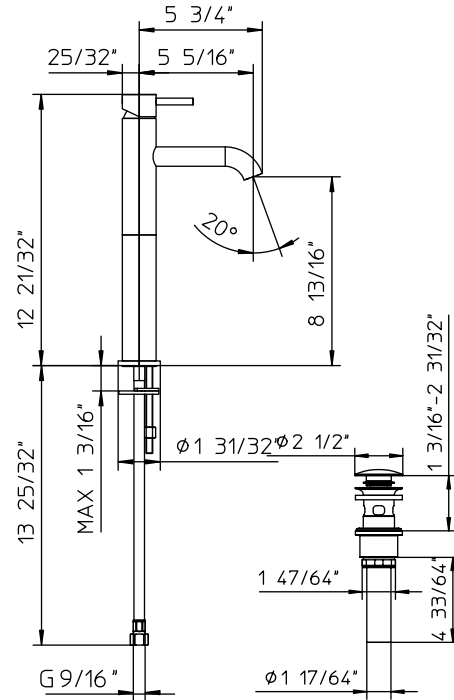


# PALAZZANI

## mimo



code **023018-10**

### Features

- Single lever handle volume and temperature control.
- Temperature memory allows faucet to be turned on and off at any temperature setting.
- Included Click-Clack drain with 1-1/4" tailpiece.
- Ceramic disc valves longevity standards for a lifetime of durable performance.
- Valve body cast brass.

### Material

- Solid brass.
- Finishes resist corrosion and tarnish.

### Certifications

- ASME A112.18.1/CSA B125.1-12
- California Energy Commission (CEC)
- ADA

### Available color finishes

- 10 chrome
- 34 matt copper
- 36 brushed dark nickel
- 38 matt black
- 43 matt white
- 49 brushed steel finish
- 68 polish nickel

### Technical information

- All product dimensions are nominal
- Handle clearance  $2-23/64$ " (60mm)
- Faucet flow rate: 1.2 gpm
- Pressure 60 psi

### Warranty

- Limited warranty.
- See website for detailed warranty information.

### Note

- Install this product according to the installation guide.
- Final measurements confirm with product.
- Palazzani reserves the right to make revisions without notice to product specifications.



**PALAZZANI USA**

phone (305) 651.4470 ■ service@palazzaniusa.com